

PENRHYN HIRE LTD



Price Guide

www.penrhyhire.co.uk

Email: hiredesk@penrhyhire.co.uk

Penrhyn: 01766-770095

Pwllheli: 01758-701050

**Tool Hire & Small Plant, Sales and Repairs,
Hydraulic Hoses & B.O.C. Gas Agents**

General Information

Penrhyn Hire Ltd. is an independent Tool Hire company trading from two depots in Gwynedd. Our aim is to provide a friendly and professional service at a realistic and affordable cost. In addition to hiring an extensive range of equipment and small plant, we offer the following services.

Sales. Our sales stock includes safety equipment, fixings, propane and butane gas, and most accessories appropriate to our hire equipment. We are also approved BOC agents.

Service & Repairs. We have been approved Makita Service Agents for over 30 years and can service and repair most Makita power tools. We also offer a comprehensive repair service for general construction equipment, trailers, small plant and engines. Our repair facilities include Arc & TIG welding, machining and light fabrication.

Hydraulic Hoses & Fittings. We stock a comprehensive range of fittings and hoses up to 1" bore and are able to make up hoses, two wire and multi-spiral, to your pattern.

Collection & Delivery can be arranged for all your hire requirements. You will be advised of the charge for this service at the time of your enquiry.

Address /Contact Details/Opening Times.

Penrhyndeudraeth. Griffin Industrial Estate - LL48 6LE
Ffon/Tel: 01766-770095 E-mail: hiredesk@penrhynehire.co.uk

Opening times: Weekdays: 0730hrs - 1700hrs
Saturday:0900hrs - 1200hrs

Pwllheli. Unit 2, Glan y Don Industrial Estate - LL53 5YT
Ffon/Tel: 01758-701050 E-mail: hiredesk@penrhynehire.co.uk
Opening times: Weekdays: 0800hrs - 1600hrs

General Conditions of Hire & Sale. Our equipment is hired subject to our hire Terms and Conditions. Sales goods are sold subject to our Conditions of Sale. Copies of these conditions are available upon request.

Hire Charges. The '1 day' charge covers an initial period of up to 24 consecutive hours from the time of collection of the equipment from our premises or from the time it is delivered. Discount rates occur for weekend hires, which commence from 3 p.m. on Fridays until 10 a.m. on Mondays. Hire contracts extending beyond a week are generally charged at the weekly rate plus additional days. An additional day is the difference between '1 day' and '2 days' charges. Exceptions to this pricing structure occur with larger plant items. V.A.T. is charged in addition to all prices shown.

Deposits & Payments. Unless you are an account holder or have made prior arrangements for an agreed credit facility, a deposit will be required before the hire of any equipment. Positive proof of identity will be needed for those customers not known to us. Payment of deposits can be made by Credit/Debit card. The deposit value will be taken into account and offset against the charges incurred at the end of the hire.

General Information.

Insurance. It is your responsibility to insure the equipment you hire against theft or damage. We will advise you of the insurance value of the quipment at the time of hire.

Prices & Descriptions. Descriptions, measurements, voltages and images, etc. of equipment detailed in this price list are intended as guidance only and may vary from time to time. All prices are subject to change without prior notice. E & OE.

PAGE INDEX

	Page
Access, Scaffold Towers & Ladders	4/5
Acrow Props & Strongboys	5
Air Tools & Compressors	5/6
Breaking & Drilling	6/7
Cable Avoidance & Detection	7
Cleaning	7
Compacting & Rolling	7/8
Concreting	8
Cordless & battery operated	8
Cutting	9
Damp-proofing	10
Decorating	10
Diggers/Dumpers/Loaders & Barrows	10
Drain Clearing & Plumbing	11
Dust & Fume Extraction	11
Fencing, Crowd Control & Ground Protection	11
Flooring & Carpet Care	11/12
Gardening	12/13
Generators/Lighting/Electrical	13
Grinding	14
Heating/Cooling/Drying	14
Lifting/Mechanical handling	14/15
Mechanical engineering/Metal working	15
Pumping/Pressure washing	16
Roofing	16/17
Site Levels	17
Trailers	17
Traffic Control/Road Signs & Cones	18
Welding	18
Woodworking/Sanding	18

Access, Scaffold Towers & Ladders

Scaffold Tower - 1.8m x 0.8m - 5'10" x 2'7"

	1 day	2 days	Week	W/E
Single width Aluminium Tower - 2.2m height	£ 33.00	£ 44.00	£ 55.00	£ 42.00
Single width Aluminium Tower - 2.7m height	£ 38.00	£ 51.00	£ 63.00	£ 48.00
Single width Aluminium Tower - 3.2m height	£ 43.00	£ 58.00	£ 72.00	£ 54.00
Single width Aluminium Tower - 3.7m height	£ 48.00	£ 64.00	£ 80.00	£ 60.00
Single width Aluminium Tower - 4.2m height	£ 53.00	£ 70.00	£ 87.00	£ 66.00

Further heights up to 7.7m available - price on request

Scaffold Tower - 1.8m x 1.4m - 5'10" x 4'6"

	1 day	2 days	Week	W/E
Double width Aluminium Tower - 2.4m height	£ 38.00	£ 51.00	£ 63.00	£ 48.00
Double width Aluminium Tower - 3.4m height	£ 46.00	£ 61.00	£ 75.00	£ 57.00
Double width Aluminium Tower - 4.4m height	£ 54.00	£ 73.00	£ 91.00	£ 69.00
Double width Aluminium Tower - 5.4m height	£ 64.00	£ 85.00	£ 107.00	£ 80.00
Double width Aluminium Tower - 6.4m height	£ 72.00	£ 96.00	£ 119.00	£ 90.00

Further heights up to 12.4m available - price on request

Mini-Scaffold Tower - 1.3m x 0.7m - 4'3" x 2'3"

	1 day	2 days	Week	W/E
Mini-one man Aluminium Tower - 4.2m height	£ 53.00	£ 70.00	£ 87.00	£ 66.00

Chimney Scaffold

	1 day	2 days	Week	W/E
Chimney Scaffold - 1/4 section	£ 35.00	£ 46.00	£ 58.00	£ 43.00
Chimney Scaffold - 1/2 section	£ 58.00	£ 77.00	£ 96.00	£ 72.00
Chimney Scaffold - 3/4 section	£ 85.00	£ 114.00	£ 142.00	£ 107.00
Chimney Scaffold - 4/4 section	£ 104.00	£ 140.00	£ 173.00	£ 129.00

Aluminium Ladders/Steps & accessories

	1 day	2 days	Week	W/E
Ladder stand-off	£ 5.00	£ 7.00	£ 8.00	£ 7.00
30' Double 16' ladder	£ 16.00	£ 21.00	£ 26.00	£ 19.00
Triple ladder - 11'/3.43m closed - 29'/8.96m open	£ 16.00	£ 21.00	£ 26.00	£ 19.00
Triple ladder - 17'/5.44m closed - 46'/13.97m open	£ 32.00	£ 43.00	£ 54.00	£ 41.00
16'/4.94m roof ladder	£ 14.00	£ 19.00	£ 24.00	£ 18.00
6'/1.80m roof ladder extension	£ 5.00	£ 7.00	£ 8.00	£ 7.00
12'/3.60m roof ladder extension	£ 8.00	£ 11.00	£ 14.00	£ 10.00
Podium steps - 1.2m - 1.4m height	£ 25.00	£ 32.00	£ 41.00	£ 30.00
Combination step ladder - 3.6m closed - 8m open	£ 25.00	£ 32.00	£ 41.00	£ 30.00

Manual & Powered Platforms

	1 day	2 days	Week	W/E
Folding platform - 2.0m x 0.75m x 1.7m height	£ 25.00	£ 32.00	£ 41.00	£ 30.00
Powered Access Platform (MEWP)(Cherry picker) - 12m	£ 146.00	£ 194.00	£ 365.00	£ 176.00

Prices shown exclude V.A.T.

Apr-22 E & OE

Access, Scaffold Towers & Ladders continued/...

Rubbish Chutes, Boards & Trestles

	1 day	2 days	Week	W/E
Rubbish Chute hopper	£ 6.00	£ 8.00	£ 10.00	£ 7.00
Rubbish Chute - 1 metre section	£ 6.00	£ 8.00	£ 10.00	£ 7.00
10' - 3.1m Youngman Board - 450mm width	£ 8.00	£ 11.00	£ 14.00	£ 10.00
14' - 4.3m Youngman Board - 450mm width	£ 10.00	£ 14.00	£ 17.00	£ 13.00
16' - 4.9m Youngman Board - 450mm width	£ 11.00	£ 16.00	£ 19.00	£ 15.00
20' - 6.1m Youngman Board - 450mm width	£ 14.00	£ 18.00	£ 22.00	£ 17.00
Steel Trestle - Size 1 - 1'0" - 2'6"	£ 4.00	£ 4.00	£ 4.00	£ 4.00
Steel Trestle - Size 2 - 2'6" - 4'6"	£ 4.00	£ 4.00	£ 4.00	£ 4.00
Steel Trestle - Size 3 - 3'6" - 6'0"	£ 5.00	£ 5.00	£ 5.00	£ 5.00
Steel Trestle - Size 4 - 4'6" - 8'0"	£ 5.00	£ 5.00	£ 5.00	£ 5.00

Acrow Props & Strongboys.

Trench props - 12" closed	£ 5.00	£ 5.00	£ 5.00	£ 5.00
Acrow props - 48" closed	£ 5.00	£ 5.00	£ 5.00	£ 5.00
Acrow props - 72" closed	£ 5.00	£ 5.00	£ 5.00	£ 5.00
Acrow props - 102" closed	£ 5.00	£ 5.00	£ 5.00	£ 5.00
Strongboys	£ 7.00	£ 7.00	£ 7.00	£ 7.00

Air Tools & Compressors.

Air Compressors

	1 day	2 days	Week	W/E
Compressor - 8 cfm - electric - 220v	£ 22.00	£ 30.00	£ 38.00	£ 28.00
Compressor - 15 cfm - petrol	£ 37.00	£ 49.00	£ 61.00	£ 46.00
Compressor - 140 cfm - diesel - road tow, twin tool	£ 42.00	£ 57.00	£ 71.00	£ 53.00
Drip Tray - 3'0" x 2'0"	£ 2.00	£ 2.00	£ 2.00	£ 2.00
Drip Tray - 4'0" x 3'8"	£ 3.00	£ 3.00	£ 3.00	£ 3.00

Air Breakers/Hammers/Picks/Scabblers

	1 day	2 days	Week	W/E
Breaker - heavy duty - 27kg	£ 20.00	£ 27.00	£ 33.00	£ 26.00
Drill breaker/Chipping hammer - CP9	£ 22.00	£ 30.00	£ 38.00	£ 28.00
Pogo/Pole scabblers	£ 27.00	£ 38.00	£ 48.00	£ 36.00
Single head scabblers	£ 17.00	£ 22.00	£ 27.00	£ 20.00
Triple head scabblers	£ 22.00	£ 30.00	£ 38.00	£ 28.00
Needle gun	£ 17.00	£ 22.00	£ 27.00	£ 20.00

Prices shown exclude VAT

Apr-22 E & OE

Air Tools & Compressors continued/....

Air pokers

	1 day	2 days	Week	W/E
Air poker - 25mm head	£ 19.00	£ 25.00	£ 31.00	£ 24.00
Air poker - 55mm head	£ 25.00	£ 32.00	£ 41.00	£ 30.00

Miscellaneous air-tools

	1 day	2 days	Week	W/E
Impact driver	£ 17.00	£ 22.00	£ 27.00	£ 20.00
Impact wrench	£ 20.00	£ 27.00	£ 33.00	£ 26.00

Pneumatic accessories

	1 day	2 days	Week	W/E
Air hose - 50' x 3/4"	£ 7.00	£ 9.00	£ 12.00	£ 9.00
Blow pipe	£ 9.00	£ 9.00	£ 9.00	£ 9.00
Drip Tray - 3'0" x 2'0"	£ 2.00	£ 2.00	£ 2.00	£ 2.00
Drip Tray - 4'0" x 3'8"	£ 3.00	£ 3.00	£ 3.00	£ 3.00

Breaking & Drilling.

Drills and Angle drills

	1 day	2 days	Week	W/E
Hammer drill - 1/2" chuck - 110v/220v	£ 10.00	£ 14.00	£ 17.00	£ 13.00
Hammer drill - SDS - 110v/220v	£ 17.00	£ 22.00	£ 27.00	£ 20.00
Angle drill - light duty - 220v	£ 15.00	£ 20.00	£ 25.00	£ 18.00
Angle drill - heavy duty - 110v	£ 25.00	£ 32.00	£ 41.00	£ 30.00
Diamond core drill - light duty - 110v/220v	£ 25.00	£ 32.00	£ 41.00	£ 30.00
Diamond core drill - heavy duty - 110v	£ 27.00	£ 38.00	£ 48.00	£ 36.00
Rotabroach - magnetic base drill - 110v	£ 44.00	£ 59.00	£ 74.00	£ 55.00

Cordless Drills/Drivers

	1 day	2 days	Week	W/E
Cordless drill - 18v - combi drill & impact driver	£ 25.00	£ 32.00	£ 41.00	£ 30.00
Cordless drill - SDS - 40v	£ 39.00	£ 51.00	£ 64.00	£ 48.00

Drill/Breakers & Hammers

	1 day	2 days	Week	W/E
Drill/Breaker - medium duty - 110v	£ 21.00	£ 28.00	£ 36.00	£ 27.00
Drill/Breaker - heavy duty - SDS max - 110v - 7kg	£ 26.00	£ 33.00	£ 42.00	£ 32.00
Demolition hammer - 110v - 12kg	£ 33.00	£ 44.00	£ 55.00	£ 42.00
Demolition breaker - 110v - 27kg	£ 42.00	£ 57.00	£ 71.00	£ 53.00
Demolition breaker - Cobra - 2 stroke petrol - 24kg	£ 50.00	£ 66.00	£ 83.00	£ 62.00
Hydraulic breaker - petrol - 25kg	£ 50.00	£ 66.00	£ 83.00	£ 62.00
Breaker - heavy duty - pneumatic - 27kg	£ 20.00	£ 27.00	£ 33.00	£ 26.00

Prices shown exclude VAT

Apr-22 E & OE

Breaking & Drilling continued/...

Drill bits/Core bits/extension pieces/chisels & points

	1 day	2 days	Week	W/E
Drill bits/Core bits/extension pieces - prices from	£ 4.00	£ 5.00	£ 6.00	£ 5.00
Breaker chisels/points - prices from	£ 3.00	£ 3.00	£ 3.00	£ 3.00
TCT core & Diamond core bits - prices from	£ 5.00	£ 7.00	£ 8.00	£ 7.00

Micro & Mini digger Peckers

	1 day	2 days	Week	W/E
Micro-digger Pecker attachment - steel included	£ 33.00	£ 44.00	£ 55.00	£ 42.00
Mini-digger Pecker attachment - steel included	£ 33.00	£ 44.00	£ 55.00	£ 42.00

Cable Avoidance & Detection

	1 day	2 days	Week	W/E
C.A.T. Detector	£ 32.00	£ 43.00	£ 54.00	£ 41.00
C.A.T. Signal Generator (Genny)	£ 32.00	£ 43.00	£ 54.00	£ 41.00
C.A.T. Sonde (Mouse)	£ 19.00	£ 25.00	£ 31.00	£ 24.00

Cleaning

	1 day	2 days	Week	W/E
Carpet cleaner - 220v - (cleaning fluids on sale/return)	£ 21.00	£ 28.00	£ 36.00	£ 27.00
Floor polisher/scrubber - 220v (pads on sale or return)	£ 30.00	£ 40.00	£ 50.00	£ 38.00
Vacuum cleaner - 27ltr - wet or dry - 110v/220v	£ 21.00	£ 28.00	£ 36.00	£ 27.00

Pressure washer - 1500psi - 220v	£ 22.00	£ 30.00	£ 38.00	£ 28.00
Pressure washer - 2000psi - petrol	£ 41.00	£ 54.00	£ 68.00	£ 51.00
Pressure washer - 3000psi - petrol	£ 55.00	£ 74.00	£ 93.00	£ 70.00
Hot water pressure washer - diesel/220v	£ 58.00	£ 77.00	£ 96.00	£ 72.00
Water bowser - 940ltrs - c/w pressure washer - 3000psi	£ 76.00	£ 102.00	£ 128.00	£ 96.00
Patio Cleaning attachment (all pressure washers)	£ 20.00	£ 27.00	£ 33.00	£ 26.00

Compacting & Rolling

Plate Compactors/Rammers & Tampers

	1 day	2 days	Week	W/E
Plate compactor - 300mm/12" - petrol	£ 20.00	£ 27.00	£ 33.00	£ 26.00
Plate compactor - 350mm/14" - petrol	£ 26.00	£ 33.00	£ 42.00	£ 32.00
Plate compactor - 350mm/14" c/w water tank - petrol	£ 26.00	£ 33.00	£ 42.00	£ 32.00
Plate compactor - 350mm/14" - 110v	£ 26.00	£ 33.00	£ 42.00	£ 32.00
Plate compactor - reversing - 350mm/14" - diesel	£ 44.00	£ 59.00	£ 74.00	£ 55.00
Rubber pad - 30mm/14"	£ 7.00	£ 9.00	£ 11.00	£ 8.00
Trench rammer - 260mm - petrol	£ 27.00	£ 38.00	£ 48.00	£ 36.00
Hand tamper	£ 5.00	£ 7.00	£ 8.00	£ 7.00

Prices shown exclude VAT

Apr-22 E & OE

Compacting & Rolling continued/...

Rollers & Roller Trailers

	1 day	2 days	Week	W/E
Single drum roller - 550mm - petrol	£ 42.00	£ 57.00	£ 71.00	£ 53.00
Single drum roller - 700mm - diesel	£ 48.00	£ 64.00	£ 80.00	£ 60.00
Trailers for above rollers	£ 8.00	£ 11.00	£ 14.00	£ 10.00
Ride-on-roller - 800m/1000mm - diesel	£ 81.00	£ 119.00	£ 194.00	£ 106.00

Concreting

Cement Mixers

	1 day	2 days	Week	W/E
Cement Mixer - Barrow 4/3 - petrol/110v/220v	£ 19.00	£ 25.00	£ 31.00	£ 24.00
Cement Mixer - Site 5/3 - diesel	£ 30.00	£ 40.00	£ 50.00	£ 38.00
Paddle Mixer - handheld - 110v -240v	£ 26.00	£ 33.00	£ 42.00	£ 32.00

Vibrating Pokers

	1 day	2 days	Week	W/E
Vibrating Poker - power unit only- petrol	£ 16.00	£ 21.00	£ 26.00	£ 19.00
Poker Shaft - 38mm/55mm head x 5mtr shaft	£ 15.00	£ 20.00	£ 25.00	£ 18.00
Vibrating Poker - power unit only - 110v	£ 16.00	£ 21.00	£ 26.00	£ 19.00
Poker Shaft - 36mm x 3mtr shaft	£ 15.00	£ 20.00	£ 25.00	£ 18.00
Vibrating poker - 25mm - pneumatic	£ 19.00	£ 25.00	£ 31.00	£ 24.00
Vibrating poker - 55mm - pneumatic	£ 25.00	£ 32.00	£ 41.00	£ 30.00

Screeders & Floats

	1 day	2 days	Week	W/E
Beam Screeder - 4.2m/13'9" beams - petrol	£ 44.00	£ 59.00	£ 74.00	£ 55.00
Beam Screeder - 5.2m/17'1" beams - petrol	£ 55.00	£ 74.00	£ 93.00	£ 70.00
Easy Screed - 3m/10' beam - petrol	£ 44.00	£ 59.00	£ 74.00	£ 55.00
Easy Screed - 4.25m/14'0" beam - petrol	£ 44.00	£ 59.00	£ 74.00	£ 55.00
Power Float - 600mm/900mm - petrol	£ 39.00	£ 51.00	£ 64.00	£ 48.00
Power Float polishing disc for above	£ 11.00	£ 16.00	£ 19.00	£ 15.00
Easy Float - manual - 1.0m blade - 1.8m x 3 handles	£ 17.00	£ 22.00	£ 28.00	£ 20.00

Cordless & Battery.

	1 day	2 days	Week	W/E
Cordless drill - 18v - combi drill & impact driver	£ 25.00	£ 32.00	£ 41.00	£ 30.00
Cordless drill - SDS - 40v	£ 39.00	£ 51.00	£ 64.00	£ 48.00
Cordless reciprocating/shark-saw - 18v - (blades extra)	£ 25.00	£ 32.00	£ 41.00	£ 30.00
Cordless circular saw - 165mm - 18v	£ 25.00	£ 32.00	£ 41.00	£ 30.00
Cordless planer - 82mm - 18v	£ 17.00	£ 22.00	£ 27.00	£ 20.00
Cordless nailer - first fix - 7.4v (nails & gas extra)	£ 30.00	£ 41.00	£ 51.00	£ 38.00
Cordless nailer - second fix - 7.4v (nails & gas extra)	£ 30.00	£ 41.00	£ 51.00	£ 38.00
Cordless angle grinder - 115mm - 18v (discs extra)	£ 25.00	£ 32.00	£ 41.00	£ 30.00
Cordless disc cutter - 9"/230mm - 36v 6.0 Ah	£ 19.00	£ 25.00	£ 31.00	£ 24.00
Cordless impact wrench 1/2 Drive 18V 5.0Ah inc Sockets	£38.00	£ 51.00	£ 64.00	£ 48.00

Prices shown exclude VAT

Apr-22 E & OE

Cutting.

Brick/Block/Masonry cutters

	1 day	2 days	Week	W/E
Brick splitter - manual	£ 20.00	£ 27.00	£ 33.00	£ 26.00
Block splitter/slab cutter - manual	£ 25.00	£ 32.00	£ 41.00	£ 30.00
Disc cutter - 12"/300mm - 2 stroke petrol	£ 19.00	£ 25.00	£ 31.00	£ 24.00
Dust control water attachment for disc cutters	£ 4.00	£ 5.00	£ 6.00	£ 5.00
Disc cutter - 12"/300mm - 110v	£ 19.00	£ 25.00	£ 31.00	£ 24.00
Disc cutter - 9"/230mm - cordless - 36v 6.0 Ah	£ 19.00	£ 25.00	£ 31.00	£ 24.00
Deepcut masonry saw - cutting depth 400mm - 110v	£ 41.00	£ 54.00	£ 68.00	£ 51.00
Masonry saw bench - 350mm/450mm - petrol	£ 65.00	£ 90.00	£ 110.00	£ 83.00
Road saw - 16"/18" - 400mm/450mm - petrol	£ 41.00	£ 54.00	£ 68.00	£ 51.00
Diamond Blade - 9"/235mm	£ 7.00	£ 7.00	£ 7.00	£ 7.00
Diamond Blade - 12"/300mm	£ 9.00	£ 9.00	£ 9.00	£ 9.00
Diamond Blade - 14"/350mm	£ 9.00	£ 9.00	£ 9.00	£ 9.00
Diamond Blade - 18"/450mm	£ 13.00	£ 13.00	£ 13.00	£ 13.00
TCT Ripper blade - 300mm for tree roots/rubber/etc	£ 14.00	£ 19.00	£ 24.00	£ 18.00

NOTE:- All diamond blades incur a wear charge in addition to hire charges.

Tile saws/cutters/breakers/wall chasers

	1 day	2 days	Week	W/E
Tile saw - 10"/250mm - 240v	£ 32.00	£ 43.00	£ 54.00	£ 40.00
Radial arm tile saw - 10"/250mm x 800mm - 110v	£ 44.00	£ 59.00	£ 74.00	£ 55.00
Radial arm tile saw - 10"/250mm x 1500mm - 110v	£ 70.00	£ 120.00	£ 150.00	£ 115.00
Dustless tile saw - 10"/250mm-110v 5Kva Transformer	£ 60.00	£ 80.00	£ 99.00	£ 75.00
Tile cutter - 300mm - manual	£ 11.00	£ 16.00	£ 19.00	£ 15.00
Tile cutter - 600mm - manual	£ 15.00	£ 20.00	£ 25.00	£ 18.00
Tile breaker - manual	£ 8.00	£ 11.00	£ 14.00	£ 10.00
Single blade wall chaser - 5"/125mm - 110v	£ 20.00	£ 27.00	£ 33.00	£ 26.00
Twin blade wall chaser - 5"/125mm - 110v	£ 25.00	£ 32.00	£ 41.00	£ 30.00

Steel & Wood Cutting

	1 day	2 days	Week	W/E
Jigsaw - 110v/220v - (blades extra)	£ 13.00	£ 17.00	£ 20.00	£ 16.00
Reciprocating Shark Saw - 110v/220v - blades extra	£ 17.00	£ 22.00	£ 27.00	£ 20.00
Reciprocating Shark Saw - cordless - 18v - blades extra	£ 25.00	£ 32.00	£ 41.00	£ 30.00
Multi-Tool - 110v - cutters extra	£ 19.00	£ 25.00	£ 31.00	£ 24.00
Circular Saw - 165mm - 110v	£ 14.00	£ 19.00	£ 24.00	£ 18.00
Circular Saw - 165mm - cordless - 18v	£ 25.00	£ 32.00	£ 41.00	£ 30.00
Circular Saw - 235mm - 110v	£ 17.00	£ 22.00	£ 27.00	£ 20.00
Slide Compound Mitre Saw - 10"/260mm - 110v	£ 41.00	£ 54.00	£ 68.00	£ 51.00
Mitre Saw table for above	£ 3.00	£ 3.00	£ 3.00	£ 3.00
Site bench Wood Saw - 14"/350mm - petrol	£ 37.00	£ 49.00	£ 61.00	£ 46.00
Cut-Off Chop Saw - 14"/350mm - 110v	£ 25.00	£ 32.00	£ 41.00	£ 30.00
Sheet metal nibbler - 110v	£ 22.00	£ 30.00	£ 38.00	£ 28.00
Sheet metal shears - 110v	£ 22.00	£ 30.00	£ 38.00	£ 28.00
Wire rope cutters	£ 8.00	£ 11.00	£ 14.00	£ 10.00
Bolt croppers - 18"/450mm	£ 8.00	£ 11.00	£ 14.00	£ 10.00
Bolt croppers - 36"/900mm	£ 10.00	£ 14.00	£ 17.00	£ 13.00

Prices shown exclude VAT

Apr-22 E & OE

Damp-Proofing

	1 day	2 days	Week	W/E
DPC Injection m/c - 110v	£ 37.00	£ 49.00	£ 61.00	£ 46.00
Dryzone Applicator	£ 10.00	£ 14.00	£ 17.00	£ 13.00

Decorating

	1 day	2 days	Week	W/E
Fume extractor - 220v	£ 16.00	£ 21.00	£ 26.00	£ 19.00
Wallpaper Stripper - 220v	£ 16.00	£ 21.00	£ 26.00	£ 19.00
Heat Gun - 220v	£ 11.00	£ 16.00	£ 19.00	£ 15.00

Diggers/Dumpers/Loaders & Barrows

	1 day	2 days	Week	W/E
Micro-Excavator - 750mm width - 1200kgs - diesel	£ 68.00	£ 134.00	£ 268.00	£ 134.00
Micro-Excavator - pecker attachment (steel included)	£ 33.00	£ 44.00	£ 55.00	£ 42.00
Mini-Excavator - 980mm width -1565kgs - diesel	£ 68.00	£ 134.00	£ 268.00	£ 134.00
Mini-Excavator - pecker attachment (steel included)	£ 33.00	£ 44.00	£ 55.00	£ 42.00
Mini-Dumper - high tip - 1115mm width - 1000kg cap.	£ 59.00	£ 98.00	£ 197.00	£ 93.00
Micro-Dumper - 730/850mm width - 450kg cap. - petrol	£ 49.00	£ 65.00	£ 82.00	£ 61.00
Tracked carrier - high lift - 800mm width - 750kg cap.	£ 79.00	£ 115.00	£ 182.00	£ 103.00
Powered barrow - 750mm width - 200kg capacity - petrol	£ 31.00	£ 42.00	£ 52.00	£ 39.00
Multi-purpose Wheeled Loader - 700kg cap.- diesel	£ 59.00	£ 116.00	£ 232.00	£ 105.00
Multi-purpose Wheeled Loader - 1100kg cap.- diesel	£ 110.00	£ 220.00	£ 440.00	£ 198.00
Attachments for above Avant machines				
Avant Pallet Forks	£ 7.00	£ 9.00	£ 11.00	£ 8.00
Avant Post Auger drive - Augers - 8"/12"/14"	£ 36.00	£ 47.00	£ 59.00	£ 43.00
Avant 4 in 1 bucket	£ 36.00	£ 47.00	£ 59.00	£ 43.00
Avant silage grab	£ 36.00	£ 47.00	£ 59.00	£ 43.00
Plant/Digger trailer - 4 wheel - 1800kgs capacity	£ 37.00	£ 49.00	£ 61.00	£ 46.00
Deck size: 9'2" x 4'3"/2800mm x 1300mm				
Ratchet securing straps (each)	£ 4.00	£ 4.00	£ 4.00	£ 4.00
Wheel Clamp	£ 7.00	£ 7.00	£ 7.00	£ 7.00
Hitch lock	£ 3.00	£ 3.00	£ 3.00	£ 3.00
Ground guard sheet - 2.4m x 1.2m	£ 7.00	£ 7.00	£ 7.00	£ 7.00

Prices shown exclude VAT

Apr-22 E & OE

Drain Clearing & Plumbing

Drain cleaning/drain inspection/drain repairs

	1 day	2 days	Week	W/E
Drain rods - 36"/900mm each - per set of 10 rods	£ 5.00	£ 7.00	£ 8.00	£ 7.00
Water-powered drain cleaner (Drain-King)	£ 10.00	£ 14.00	£ 17.00	£ 13.00
Rodding/Cabbling system (Cobra) - 130 metres	£ 21.00	£ 28.00	£ 36.00	£ 27.00
Drain stoppers - assorted sizes	£ 6.00	£ 8.00	£ 10.00	£ 7.00

Pipe Benders/Pipe Repairs

	1 day	2 days	Week	W/E
Pipe bender - 15mm - 22mm - manual	£ 11.00	£ 16.00	£ 19.00	£ 15.00
Pipe bender - 15mm - 42mm - manual	£ 20.00	£ 27.00	£ 33.00	£ 26.00
Hydraulic pipe bender - 1/2" - 2" formers	£ 32.00	£ 43.00	£ 54.00	£ 40.00
Pipe freezing kit - 8mm to 42mm	£ 22.00	£ 30.00	£ 38.00	£ 28.00
Pipe vice	£ 7.00	£ 9.00	£ 11.00	£ 8.00
Stillson wrench	£ 5.00	£ 7.00	£ 8.00	£ 7.00
Ratchet Die-Stock - manual	£ 14.00	£ 19.00	£ 24.00	£ 18.00

Dust & Fume extraction.

Dust & Fume Extraction

	1 day	2 days	Week	W/E
Vacuum Cleaner - 110v/220v	£ 21.00	£ 28.00	£ 36.00	£ 27.00
Air scrubber - 110v	£ 30.00	£ 39.00	£ 49.00	£ 37.00
Fume extractor - 110v	£ 16.00	£ 21.00	£ 26.00	£ 19.00

Fencing, Crowd Control & Ground Protection

Anti-climb fencing panel - 3.5m length x 2.0m height	£ 3.00	£ 3.00	£ 3.00	£ 3.00
Crowd control barrier - 2.3m length x 1.0m height	£ 4.00	£ 4.00	£ 4.00	£ 4.00
Ground guard sheet - 2.4m x 1.2m	£ 7.00	£ 7.00	£ 7.00	£ 7.00

Flooring & Carpet Care

Carpet Care

	1 day	2 days	Week	W/E
Carpet Cleaner - (cleaning fluids sale/return)	£ 21.00	£ 28.00	£ 36.00	£ 27.00
Carpet Stretcher	£ 10.00	£ 14.00	£ 17.00	£ 13.00
Vacuum Cleaner - wet or dry - 110v/220v	£ 21.00	£ 28.00	£ 36.00	£ 27.00
Carpet blower/drier - low profile - 220v	£ 21.00	£ 28.00	£ 36.00	£ 27.00

Floor Sanding & Cleaning

	1 day	2 days	Week	W/E
Floor Sander - drum type - 220v - (sheets sale/return)	£ 33.00	£ 44.00	£ 55.00	£ 42.00
Floor Edger - disc type - 220v - (discs sale/return)	£ 26.00	£ 33.00	£ 42.00	£ 32.00
Package hire rate for drum floor sander and edger	£ 51.00	£ 68.00	£ 84.00	£ 63.00
Floor Finishing Sander - pad type - (sheets sale/return)	£ 51.00	£ 68.00	£ 84.00	£ 63.00
Floor Polisher/Scrubber - 220v - (pads sale/return)	£ 30.00	£ 40.00	£ 50.00	£ 38.00

Prices shown exclude VAT

Apr-22 E & OE

Flooring & Carpet Care continued/...**Miscellaneous flooring equipment**

	1 day	2 days	Week	W/E
Floorboard cramps	£ 10.00	£ 14.00	£ 17.00	£ 13.00
Power Scraper/Floor Tile remover - 110v	£ 21.00	£ 28.00	£ 36.00	£ 27.00
Floor Grinder - 110v (wear charge on diamond cutters)	£ 70.00	£ 93.00	£ 116.00	£ 87.00
Flooring/Porta Nailer - (nails extra)	£ 19.00	£ 25.00	£ 31.00	£ 24.00

Gardening**Chipping/Shredding/Log Splitting & Stump Grinding**

	1 day	2 days	Week	W/E
Garden shredder - Tracked max.size 3.0"/75mm - petrol	£ 60.00	£ 120.00	£ 160.00	£ 120.00
Chipper - 2 wheel road tow - max.size 6"/150mm - diesel	£ 105.00	£ 168.00	£ 318.00	£ 157.00
Chipper - tracked - max.size 6"/150mm - diesel	£ 110.00	£ 180.00	£ 347.00	£ 168.00
Log Splitter - 7 ton splitting force - petrol	£ 37.00	£ 49.00	£ 61.00	£ 46.00
Log Splitter - 10 ton splitting force - petrol	£ 46.00	£ 61.00	£ 75.00	£ 57.00
Log Splitter - 22 ton splitting force - petrol - road tow	£ 53.00	£ 70.00	£ 87.00	£ 66.00
Stump Grinder - medium duty - up to 6" - petrol	£ 53.00	£ 70.00	£ 87.00	£ 66.00
Stump Grinder - heavy duty - 6" and above - petrol	£ 70.00	£ 93.00	£ 116.00	£ 87.00

Rotavating/Hedge Cutting/Tree Pruning

	1 day	2 days	Week	W/E
Hedge Trimmer - 220v	£ 15.00	£ 20.00	£ 25.00	£ 18.00
Hedge Trimmer - 2 stroke petrol	£ 27.00	£ 38.00	£ 48.00	£ 36.00
Long reach Hedge Trimmer - 2 metres - 2 stroke petrol	£ 30.00	£ 41.00	£ 51.00	£ 38.00
Long reach Pole Saw - 2 metres - 2 stroke petrol	£ 30.00	£ 41.00	£ 51.00	£ 38.00
Extra long reach Pole Saw - 3.9 metres - 2 stroke petrol	£ 40.00	£ 53.00	£ 66.00	£ 50.00
Tree pruner - cordless - 12v	£ 20.00	£ 27.00	£ 33.00	£ 26.00
Tree pruner - manual	£ 10.00	£ 14.00	£ 17.00	£ 13.00
Rotavator - light/medium duty - petrol	£ 30.00	£ 41.00	£ 51.00	£ 38.00
Cultivator - heavy duty - petrol	£ 54.00	£ 74.00	£ 99.00	£ 74.00

Lawncare

	1 day	2 days	Week	W/E
Lawnmower - 17" - push - petrol	£ 14.00	£ 19.00	£ 24.00	£ 18.00
Lawnmower - 19"- push - petrol	£ 17.00	£ 22.00	£ 27.00	£ 20.00
Lawnmower - 21" - drive - petrol	£ 20.00	£ 27.00	£ 33.00	£ 26.00
Rough terrain mower - 21" - drive - petrol	£ 29.00	£ 38.00	£ 48.00	£ 36.00
Flail mower - 33"/850mm - drive - petrol	£ 59.00	£ 80.00	£ 99.00	£ 74.00
Lawn Scarifier - petrol	£ 29.00	£ 38.00	£ 48.00	£ 36.00
Lawn Aerator - petrol	£ 54.00	£ 74.00	£ 99.00	£ 74.00
Turf Cutter - petrol	£ 61.00	£ 83.00	£ 112.00	£ 84.00
Brushcutter/Strimmer - heavy duty - 2 stroke petrol	£ 26.00	£ 33.00	£ 42.00	£ 32.00

Prices shown exclude VAT

Apr-22 E & OE

Gardening continued/...

Miscellaneous Gardening equipment

	1 day	2 days	Week	W/E
Leaf Vacuum/Blower - 2 stroke petrol	£ 27.00	£ 38.00	£ 48.00	£ 36.00
Post Hole Borer 2 Man- 6" & 8" augers - 2 stroke petrol	£ 47.00	£ 62.00	£ 77.00	£ 58.00
Post Hole Borer - 6" - manual	£ 6.00	£ 8.00	£ 10.00	£ 7.00
Post Hole Borer - 9" - manual	£ 8.00	£ 11.00	£ 14.00	£ 10.00
Back-pack sprayer	£ 13.00	£ 17.00	£ 20.00	£ 16.00
Garden roller - water-filled - manual	£ 6.00	£ 8.00	£ 10.00	£ 7.00
Single drum roller - 550mm -petrol (includes trailer)	£ 42.00	£ 57.00	£ 71.00	£ 53.00
Trailer for above roller	£ 8.00	£ 11.00	£ 14.00	£ 10.00

Generators/Lighting/Electrical

Generators

	1 day	2 days	Week	W/E
Inverter generator - 1.6Kva - petrol	£ 21.00	£ 28.00	£ 36.00	£ 27.00
Generator - 2.0/2.2/2.8Kva - petrol	£ 21.00	£ 28.00	£ 36.00	£ 27.00
Generator - 5.0Kva - petrol	£ 35.00	£ 46.00	£ 57.00	£ 42.00
Generator - 5.0Kva - diesel	£ 40.00	£ 53.00	£ 66.00	£ 50.00
Generator - 10Kva - diesel	£ 95.00	£ 127.00	£ 158.00	£ 119.00
Generator/Welder - 4.0Kva/200amp - diesel	£ 55.00	£ 74.00	£ 93.00	£ 70.00

Extension Leads

	1 day	2 days	Week	W/E
10m extension lead - 110v & 220v	£ 3.00	£ 4.00	£ 5.00	£ 4.00
20m extension lead - 110v & 220v	£ 5.00	£ 7.00	£ 8.00	£ 7.00
30m extension lead - 110v & 220v	£ 7.00	£ 9.00	£ 11.00	£ 8.00

Lighting

	1 day	2 days	Week	W/E
Festoon lighting - 10 x LED lamps - 20m - 110v	£ 8.00	£ 11.00	£ 14.00	£ 10.00
Mini-pod site light - 110v	£ 5.00	£ 7.00	£ 8.00	£ 7.00
Single-head tripod light - halogen 110v/220v	£ 7.00	£ 9.00	£ 11.00	£ 8.00
Twin-head tripod light - halogen 110v/220v	£ 8.00	£ 11.00	£ 14.00	£ 10.00
Twin-head tripod light - LED 110v	£ 16.00	£ 21.00	£ 26.00	£ 19.00
Plasterer's light - fluorescent - 110v	£ 8.00	£ 11.00	£ 14.00	£ 10.00
LED work light & fluorescent light - cordless	£ 14.00	£ 18.00	£ 22.00	£ 17.00
Lighting Tower - 9.0mtr height - 4 x 1000w lights - diesel	£ 109.00	£ 146.00	£ 182.00	£ 137.00
Drip Tray - 3'0" x 2'0"	£ 2.00	£ 2.00	£ 2.00	£ 2.00
Drip Tray - 4'0" x 3'8"	£ 3.00	£ 3.00	£ 3.00	£ 3.00

Power distribution/transformers

	1 day	2 days	Week	W/E
Junction box - 4 way - 110v	£ 6.00	£ 8.00	£ 10.00	£ 7.00
Transformer - 220v/110v - 2.2Kva - 3.3Kva	£ 7.00	£ 9.00	£ 11.00	£ 8.00
Transformer - 220v/110v - 5.0Kva 16/32amp	£ 15.00	£ 19.00	£ 24.00	£ 18.00
Distributor box - 32amp to 4 x 16amp (RCD protected)	£ 20.00	£ 27.00	£ 33.00	£ 26.00

Prices shown exclude V.A.T.

Apr-22 E & OE

Grinding

	1 day	2 days	Week	W/E
Angle Grinder - 115mm - 110v/220v	£ 8.00	£ 11.00	£ 14.00	£ 10.00
Angle Grinder - 125mm - 110v/220v	£ 8.00	£ 11.00	£ 14.00	£ 10.00
Angle Grinder - 180mm - 110v/220v	£ 10.00	£ 14.00	£ 17.00	£ 13.00
Angle Grinder - 230mm - 110v/220v	£ 10.00	£ 14.00	£ 17.00	£ 13.00
Angle Grinder - 115mm - cordless - 18v	£ 25.00	£ 32.00	£ 41.00	£ 30.00
Die Grinder - 110v	£ 10.00	£ 14.00	£ 17.00	£ 13.00
Floor grinder - 110v (wear charge on diamond cutters)	£ 70.00	£ 93.00	£ 116.00	£ 87.00

Heating/Cooling/Drying/Fume Extracting

Heating

	1 day	2 days	Week	W/E
Cabinet heater - (butane gas extra)	£ 8.00	£ 11.00	£ 14.00	£ 10.00
Ceramic heater - 110v/220v	£ 17.00	£ 22.00	£ 27.00	£ 20.00
Infrared heater - 220v	£ 15.00	£ 20.00	£ 25.00	£ 18.00
Space heater - propane gas - 30,000btu - 110v/220v	£ 17.00	£ 22.00	£ 27.00	£ 20.00
Space heater - propane gas - 150,000btu - 110v/220v	£ 27.00	£ 38.00	£ 48.00	£ 36.00
Space heater - propane gas - 275,000btu - 110v/220v	£ 32.00	£ 43.00	£ 54.00	£ 40.00

Cooling/Drying/Fume Extracting

	1 day	2 days	Week	W/E
Air Fan - 220v	£ 20.00	£ 27.00	£ 33.00	£ 26.00
Carpet blower/drier - low profile - 220v	£ 20.00	£ 27.00	£ 33.00	£ 26.00
Air scrubber - 110v	£ 30.00	£ 41.00	£ 51.00	£ 38.00
Fume extractor - 110v	£ 15.00	£ 20.00	£ 25.00	£ 18.00
Room drier - 220v	£ 29.00	£ 38.00	£ 48.00	£ 36.00
Dehumidifier - 110v/220v	£ 44.00	£ 59.00	£ 74.00	£ 55.00

Lifting/Mechanical Handling

Material lifting

	1 day	2 days	Week	W/E
Materials hoist - (Bumpa) conveyor - 8mtr lift - petrol	£ 95.00	£ 127.00	£ 158.00	£ 119.00
Materials hoist - (Bumpa) conveyor - 8mtr lift - 110v	£ 95.00	£ 127.00	£ 158.00	£ 119.00
Materials (not concrete) conveyor-4.4mtr length - 110v	£ 70.00	£ 93.00	£ 116.00	£ 87.00
Materials (not concrete) conveyor-3.2mtr length - 110v	£ 70.00	£ 93.00	£ 116.00	£ 87.00
Glass lifter - 3 pad - (per pair)	£ 8.00	£ 11.00	£ 14.00	£ 10.00

Prices shown exclude V.A.T.

Apr-22 E & OE

Material lifting continued/....

	1 day	2 days	Week	W/E
Kerb/Slab lifter - vacuum type - battery operated	£ 37.00	£ 49.00	£ 61.00	£ 46.00
Beam lifter - telescopic - 450kgs - 3.5m max.height	£ 28.00	£ 38.00	£ 47.00	£ 36.00
Plasterboard lifter - 70kgs - 3.5m max.height	£ 27.00	£ 38.00	£ 48.00	£ 36.00
Kerb stone lifter - manual	£ 15.00	£ 20.00	£ 25.00	£ 18.00
Engine hoist - 500kgs - manual	£ 19.00	£ 25.00	£ 31.00	£ 24.00
Engine hoist - 1000kgs - hydraulic	£ 25.00	£ 32.00	£ 41.00	£ 30.00

General lifting

	1 day	2 days	Week	W/E
Sack truck	£ 6.00	£ 8.00	£ 10.00	£ 7.00
Pallet truck	£ 17.00	£ 22.00	£ 27.00	£ 20.00
High-lift pallet truck - 1000kgs - 90mm - 800mm height	£ 25.00	£ 32.00	£ 41.00	£ 30.00
Platform truck - 4 wheel	£ 17.00	£ 22.00	£ 27.00	£ 20.00

Mechanical Handling

	1 day	2 days	Week	W/E
Mini Dumper - high lift - 1115mm width - 1000kg cap.	£ 59.00	£ 98.00	£ 197.00	£ 93.00
Micro-Dumper - 730/850mm width - 450kg cap. - petrol	£ 49.00	£ 65.00	£ 82.00	£ 61.00
Tracked carrier - high lift - 800mm width - 750kg cap.	£ 79.00	£ 115.00	£ 182.00	£ 103.00
Multi-purpose Wheeled Loader - 700kg cap.- diesel	£ 59.00	£ 116.00	£ 232.00	£ 105.00
Multi-purpose Wheeled Loader - 1100kg cap.- diesel	£ 110.00	£ 220.00	£ 440.00	£ 198.00
Avant Pallet Forks	£ 7.00	£ 9.00	£ 11.00	£ 8.00
Avant 4 in 1 bucket	£ 36.00	£ 47.00	£ 59.00	£ 43.00
Avant silage grab	£ 36.00	£ 47.00	£ 59.00	£ 43.00

Mechanical Engineering/Metal Working

	1 day	2 days	Week	W/E
Ratchet die-stock	£ 14.00	£ 19.00	£ 24.00	£ 18.00
Needle Gun - pneumatic	£ 17.00	£ 22.00	£ 27.00	£ 20.00
Multi-Tool - 110v (cutters charged in addition)	£ 19.00	£ 25.00	£ 31.00	£ 24.00
Coil spring compressors	£ 5.00	£ 7.00	£ 8.00	£ 7.00
Impact driver - 240v	£ 20.00	£ 27.00	£ 33.00	£ 26.00
Cut-off Chop Saw - 14"/350mm - 110v	£ 25.00	£ 32.00	£ 41.00	£ 30.00
Rotabroach - magnetic base drill - 110v	£ 44.00	£ 59.00	£ 74.00	£ 55.00
Sheet metal nibbler - 110v	£ 22.00	£ 30.00	£ 38.00	£ 28.00
Sheet metal shears - 110v	£ 22.00	£ 30.00	£ 38.00	£ 28.00
Polisher - 180mm - 220v	£ 19.00	£ 25.00	£ 31.00	£ 24.00
Engine hoist - 500kgs - manual	£ 19.00	£ 25.00	£ 31.00	£ 24.00
Engine hoist - 1000kgs - hydraulic	£ 25.00	£ 32.00	£ 41.00	£ 30.00

Welders - see Welding section - page 18

Jigsaws & Shark Saws - see Cutting section - page 9

Grinders - see Grinding section - page 14

Prices shown exclude V.A.T.

Apr-22 E & OE

Pumps/Pressure Washers/Water Bowers

Pumping	1 day	2 days	Week	W/E
Centrifugal pump - 1" (33 gallons/minute) - petrol	£ 26.00	£ 33.00	£ 42.00	£ 32.00
Centrifugal pump - 2" (130 gallons/minute) - petrol	£ 30.00	£ 41.00	£ 51.00	£ 38.00
Centrifugal pump - 3" (240 gallons/minute) - petrol	£ 33.00	£ 44.00	£ 55.00	£ 42.00
Additional delivery hose - per 20'/6m - 1"/2"/3"	£ 4.00	£ 5.00	£ 6.00	£ 5.00
Submersible pump - 2" (45 gals/minute) - 110v	£ 21.00	£ 28.00	£ 36.00	£ 27.00
Residue pump - submersible - 1" (34 gals/minute) - 110v	£ 29.00	£ 38.00	£ 48.00	£ 36.00
Diaphragm sludge pump - 2" (40 gals/minute) - petrol	£ 33.00	£ 44.00	£ 55.00	£ 42.00
Fuel transfer pump - 110v	£ 33.00	£ 44.00	£ 55.00	£ 42.00
On demand water pump (for water bowsers) - 110v	£ 30.00	£ 41.00	£ 51.00	£ 38.00

Pressure Washing	1 day	2 days	Week	W/E
Pressure washer - 1500psi - 220v	£ 22.00	£ 30.00	£ 38.00	£ 28.00
Pressure washer - 2000psi - petrol	£ 41.00	£ 54.00	£ 68.00	£ 51.00
Pressure washer - 3000psi - petrol	£ 55.00	£ 74.00	£ 93.00	£ 70.00
Patio cleaning attachment - all pressure washers	£ 20.00	£ 27.00	£ 33.00	£ 26.00
Hot water pressure washer - diesel/220v	£ 58.00	£ 77.00	£ 96.00	£ 72.00
Water bowser - 940ltrs - c/w pressure washer - 3000psi	£ 76.00	£ 102.00	£ 128.00	£ 96.00

Water Bowsers	1 day	2 days	Week	W/E
Water bowser - 1000ltr - road tow	£ 20.00	£ 27.00	£ 33.00	£ 26.00
Water bowser - 2000ltr - road tow	£ 29.00	£ 38.00	£ 48.00	£ 36.00
Water bowser - 2000ltr - c/w On demand p/p - road tow	£ 59.00	£ 80.00	£ 99.00	£ 74.00
Wheel clamp - 10" - 15" - each	£ 7.00	£ 7.00	£ 7.00	£ 7.00

Roofing

Chimney Scaffold & Roof Ladders	1 day	2 days	Week	W/E
Chimney Scaffold - 1/4 section	£ 35.00	£ 46.00	£ 58.00	£ 43.00
Chimney Scaffold - 1/2 section	£ 58.00	£ 77.00	£ 96.00	£ 72.00
Chimney Scaffold - 3/4 section	£ 85.00	£ 114.00	£ 142.00	£ 107.00
Chimney Scaffold - 4/4 section	£ 104.00	£ 140.00	£ 173.00	£ 129.00
Roof Ladder - 16'/4.94m length	£ 14.00	£ 19.00	£ 24.00	£ 18.00
Roof Ladder extension - 6'/1.80m	£ 5.00	£ 7.00	£ 8.00	£ 7.00
Roof Ladder extension - 12'/3.60m	£ 8.00	£ 11.00	£ 14.00	£ 10.00

Prices shown exclude V.A.T.

Apr-22 E & OE

Roofing continued/....

General Roofing.

	1 day	2 days	Week	W/E
Materials hoist - (Bumpa) conveyor - 8mtr lift - petrol	£ 95.00	£ 127.00	£ 158.00	£ 119.00
Materials hoist - (Bumpa) conveyor - 8mtr lift - 110v	£ 95.00	£ 127.00	£ 158.00	£ 119.00
Powered Access Platform (MEWP) (Cherry picker) - 12m	£ 146.00	£ 194.00	£ 365.00	£ 176.00
Slate holing m/c - manual	£ 25.00	£ 32.00	£ 41.00	£ 30.00
Roofing torch - single burner - gas	£ 8.00	£ 11.00	£ 14.00	£ 10.00
Roofing torch - double burner - gas	£ 9.00	£ 13.00	£ 15.00	£ 11.00
Roofing torch - triple burner - gas	£ 11.00	£ 16.00	£ 19.00	£ 15.00
Pitch bucket & burner - gas extra	£ 8.00	£ 11.00	£ 14.00	£ 10.00
Tar boiler - 7 gallon - gas extra	£ 20.00	£ 27.00	£ 33.00	£ 26.00
Tarpaulins	£ 6.00	£ 8.00	£ 10.00	£ 7.00
Ladders - see Access equipment - page 4				

Site Levels

	1 day	2 days	Week	W/E
Rotating laser site level	£ 33.00	£ 44.00	£ 55.00	£ 42.00

Trailers - All trailers for hire are fitted with ball hitches and number plate brackets.

	1 day	2 days	Week	W/E
Trailer - 2 wheel - 15cwt/750kg capacity	£ 22.00	£ 30.00	£ 38.00	£ 28.00
Deck size: 6'3" x 4'1"/1900mm x 1250mm				
Trailer - 4 wheel - 20cwt/1000kg capacity	£ 37.00	£ 49.00	£ 61.00	£ 46.00
Deck size: 8'0" x 4'9"/2450mm x 1450mm				
Tipping Trailer - 4 wheel - 40cwt/2000kg capacity	£ 44.00	£ 59.00	£ 74.00	£ 55.00
Deck size: 7'10" x 4'11"/2400mm x 1500mm				
Plant/Digger Trailer - 4 wheel - 1800kg capacity	£ 37.00	£ 49.00	£ 61.00	£ 46.00
Deck size: 9'2" x 4'3"/2800mm x 1300mm				
Box Trailer - 4 wheel - 40cwt/2000kg capacity	£ 44.00	£ 59.00	£ 74.00	£ 55.00
Size: 10'0" x 4'10" x 6'0"/3050mm x 1480mm x 1800mm				
Tilt bed Trailer - 4 wheel - 50cwt./2500kg capacity	£ 55.00	£ 74.00	£ 93.00	£ 70.00
Deck size: 16'0" x 7'0"/4900mm x 2140mm				
Car Transporter/Beaver Tail - 4 wheel - 2750kg capacity	£ 44.00	£ 59.00	£ 74.00	£ 55.00
Deck size: 13'10" x 6'5"/4200mm x 1960mm				
Motorbike Trailer - 1 or 2 bikes - 15cwt./750kg capacity	£ 22.00	£ 30.00	£ 38.00	£ 28.00
Dimensions: track length 6'7"/2000mm in length				
Covered car trailer/Tilt bed with winch - 4 wheel	£ 73.00	£ 97.00	£ 121.00	£ 92.00
Dimensions: 20'10" x 7'10"/6350mm x 2380mm				
Motorbike & vehicle wheel straps - per set	£ 11.00	£ 16.00	£ 19.00	£ 15.00
Ratchet securing straps - each	£ 4.00	£ 4.00	£ 4.00	£ 4.00
Wheel clamp - 10" - 15" - each	£ 7.00	£ 7.00	£ 7.00	£ 7.00
Hitch lock	£ 3.00	£ 3.00	£ 3.00	£ 3.00

Prices shown exclude VAT

Apr-22 E & OE

Traffic Control/Road Signs & Cones

1 day	2 days	Week	W/E
--------------	---------------	-------------	------------

Road Cones - all sizes	£ 3.00	£ 3.00	£ 3.00	£ 3.00
Road Signs - all sizes	£ 4.00	£ 4.00	£ 4.00	£ 4.00
Stop/Go signs on tripod/or Lollipop type - each	£ 4.00	£ 4.00	£ 4.00	£ 4.00

Welding

	1 day	2 days	Week	W/E
140 amp Arc Welder - 220v	£ 15.00	£ 20.00	£ 25.00	£ 18.00
200amp/4.0Kva Welder/Generator - diesel	£ 55.00	£ 74.00	£ 93.00	£ 70.00

Angle Grinders - see Grinding section - page 14

Woodworking & Sanding

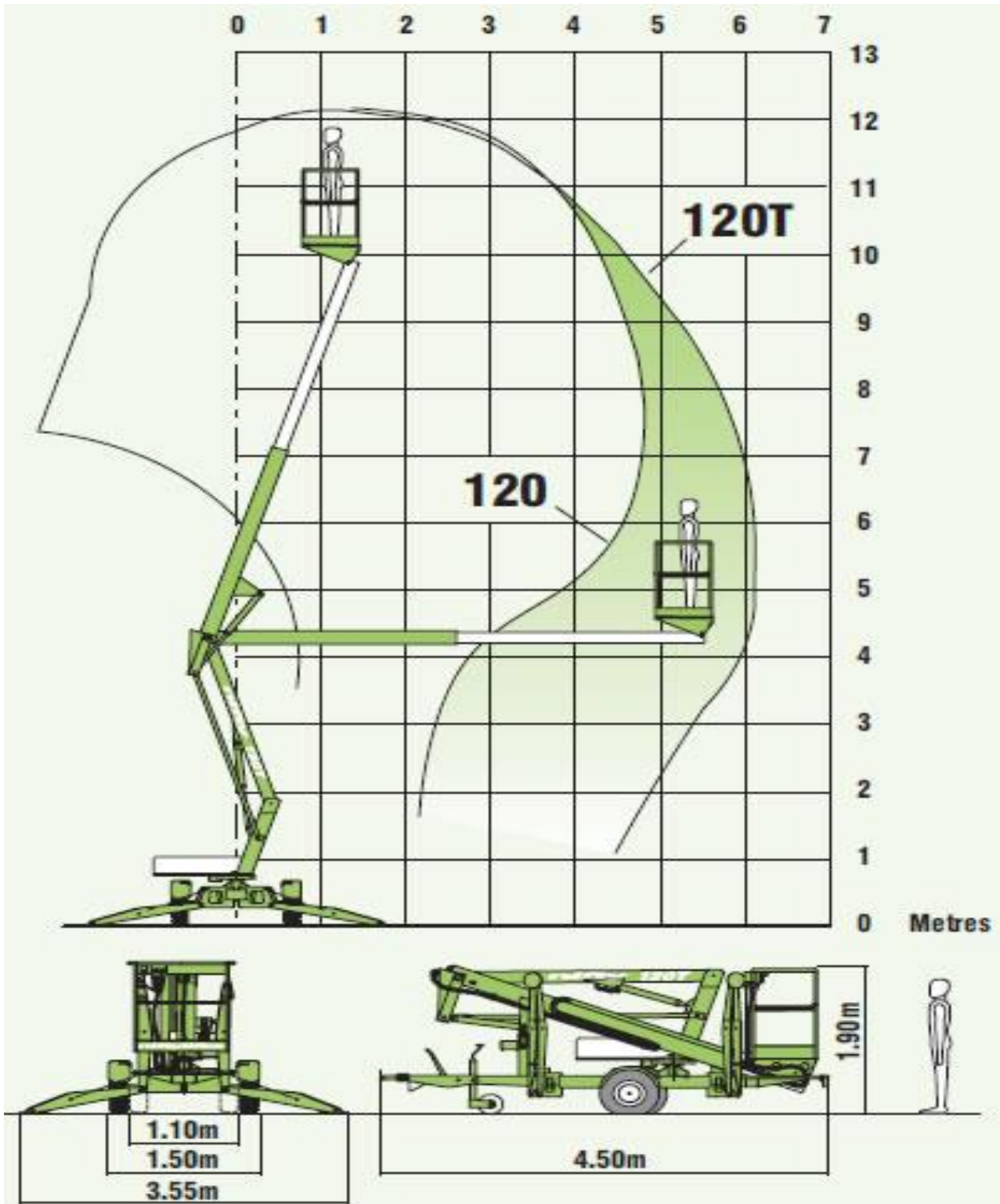
	1 day	2 days	Week	W/E
Circular Saw - 165mm - 110v	£ 14.00	£ 19.00	£ 24.00	£ 18.00
Circular Saw - 235mm - 110v	£ 17.00	£ 22.00	£ 27.00	£ 20.00
Jigsaw - 110v/220v - (blades extra)	£ 13.00	£ 17.00	£ 20.00	£ 16.00
Reciprocating/shark saw - cordless - 18v - (blades extra)	£ 25.00	£ 32.00	£ 41.00	£ 30.00
Reciprocating/shark saw - 110v/220v - (blades extra)	£ 17.00	£ 22.00	£ 27.00	£ 20.00
Slide Compound mitre saw - 10"/260mm	£ 41.00	£ 54.00	£ 68.00	£ 51.00
Mitre saw table for above	£ 3.00	£ 3.00	£ 3.00	£ 3.00
Site bench wood saw - 14"/350mm - petrol	£ 37.00	£ 49.00	£ 61.00	£ 46.00
Plunge router - 110v - (cutters/bits extra)	£ 17.00	£ 22.00	£ 27.00	£ 20.00
Worktop jig	£ 11.00	£ 16.00	£ 19.00	£ 15.00
Planer - 3 1/4"/82mm - 110v/220v	£ 13.00	£ 17.00	£ 20.00	£ 16.00
Planer - 3 1/4"/82mm - cordless - 18v	£ 17.00	£ 22.00	£ 27.00	£ 20.00
Belt sander - 1"/25mm - 110v/220v - (sanding belts extra)	£ 13.00	£ 17.00	£ 20.00	£ 16.00
Belt sander - 3"/75mm - 110v/220v - (sanding belts extra)	£ 19.00	£ 25.00	£ 31.00	£ 24.00
Orbital sander -110v/220v - (sanding sheets extra)	£ 13.00	£ 17.00	£ 20.00	£ 16.00
Random orbital sander - 220v - (sanding discs extra)	£ 19.00	£ 25.00	£ 31.00	£ 24.00
Multi-Tool - 110v - (cutters extra)	£ 19.00	£ 25.00	£ 31.00	£ 24.00
Nailer - first fix - cordless - 7.4v (nails & gas extra)	£ 30.00	£ 41.00	£ 51.00	£ 38.00
Nailer - second fix - cordless - 7.4v (nails & gas extra)	£ 30.00	£ 41.00	£ 51.00	£ 38.00
Autofeed Screw Driver - 110v (various size screws extra)	£ 20.00	£ 27.00	£ 33.00	£ 26.00
Floorboard cramps	£ 10.00	£ 14.00	£ 17.00	£ 13.00
Sash cramps	£ 10.00	£ 14.00	£ 17.00	£ 13.00

Prices shown exclude VAT

Apr-22 E & OE

INITY LITE 120T £365.00+VAT/week

12M Hydraulic Platform



PENRHYN HIRE LTD.

Penrhyn Depot: Griffin Industrial Estate, Penrhyndeudraeth, LL48 6LE

Ffon/Tel: 01766-770095

E-Mail: hiredesk@penrhyhire.co.uk

Opening Times: Weekdays: 0730hrs-1700hrs
Saturday: 0900hrs-1200hrs

Pwllheli Depot: Unit 2, Glan y Don Industrial Estate, Pwllheli, LL53 5YT

Ffon/Tel: 01758-701050

E-Mail: hiredesk@penrhyhire.co.uk

Opening Times: Weekdays: 0800hrs-1600hrs

